

13" Tall Model "HD" Conveyor



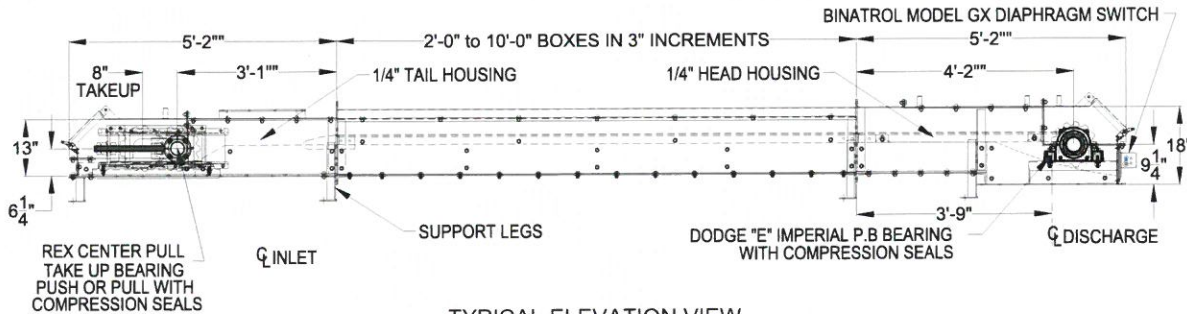
Bulk Conveyors Inc.

1202 E. First St.
Wichita, Ks 67214
Ph: 316-201-3158
www.bulkconveyorsinc.us

"Where Customer Service is always FIRST"

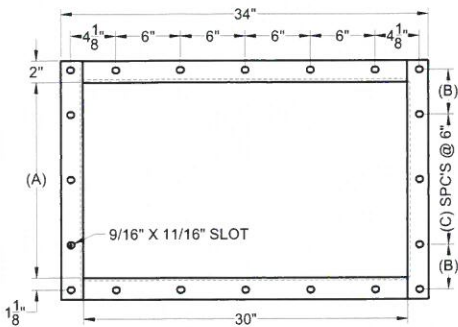
13" TALL CONVEYOR CAPACITY					
CONVEYOR WIDTH	UNITS	FEET PER MINUTE (SPEED)			
		1	50	100	150
12"	BPH	25	1266	2532	3797
	CFH	31.5	1575	3150	4725
	CMH	0.89	45	89	134
15"	BPH	32	1582	3164	4747
	CFH	39.375	1969	3938	5906
	CMH	1.12	56	112	167
18"	BPH	38	1899	3797	5696
	CFH	47.25	2363	4725	7088
	CMH	1.34	67	134	201
24"	BPH	51	2532	5063	7595
	CFH	63	3150	6300	9450
	CMH	1.78	89	178	268
30"	BPH	63	3145	6291	9436
	CFH	78.275	3914	7828	11741
	CMH	2.22	111	222	333

*Speed varies with degree of incline, materials being conveyed, service factors, and other conditions. BCI engineers work with you and your requirements to furnish precise recommendations when you consult us for your conveying needs.

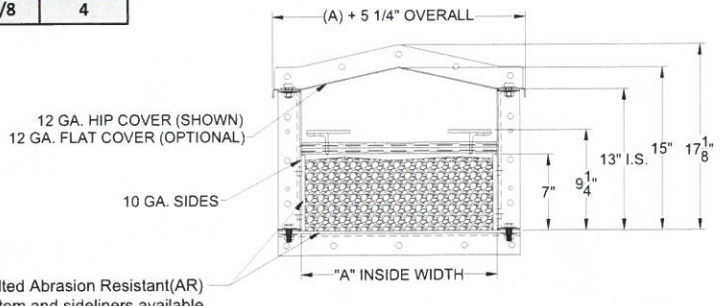


TYPICAL ELEVATION VIEW

A(WIDTH)	B	C
12	4 1/8	1
15	5 5/8	1
18	4 1/8	2
24	4 1/8	3
30	4 1/8	4



HEAD DISCHARGE HOLE PATTERN
(discharges shipped with a mating flange by request)



Bolted Abrasion Resistant(AR) bottom and sideliners available in commercial grade, 400 BHN, 500 BHN thickness available in 3/16", 1/4", 3/8", 1/2", and 3/4" (Ceramic liners also available)

TROUGH CROSS SECTION

17" Tall Model "HD" Conveyor



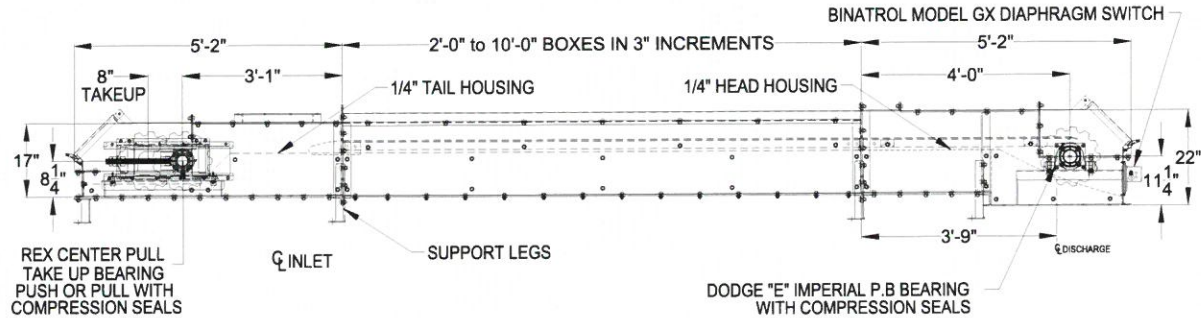
Bulk Conveyors Inc.

1202 E. First St.
Wichita, Ks 67214
Ph: 316-201-3158
www.bulkconveyorsinc.us

"Where Customer Service is always FIRST"

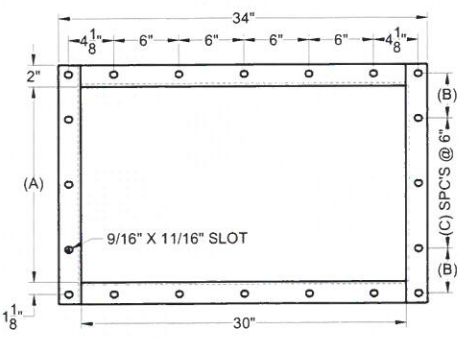
17" TALL CONVEYOR CAPACITY					
CONVEYOR WIDTH	UNITS	FEET PER MINUTE (SPEED)			
		1	50	100	150
12"	BPH	36	1808	3617	5425
	CFH	45	2250	4500	6750
	CMH	1.27	64	127	191
15"	BPH	45	2250	4501	6751
	CFH	56	2800	5600	8400
	CMH	1.59	79	159	238
18"	BPH	54	2712	5425	8137
	CFH	67.5	3375	6750	10125
	CMH	1.91	96	191	287
24"	BPH	72	3617	7233	10850
	CFH	90	4500	9000	13500
	CMH	2.55	127	255	382
30"	BPH	90	4521	9041	13562
	CFH	112.5	5625	11250	16875
	CMH	3.19	159	319	478
36"	BPH	108	5425	10850	16275
	CFH	135	6750	13500	20250
	CMH	3.82	191	382	573

*Speed varies with degree of incline, materials being conveyed, service factors, and other conditions. BCI engineers work with you and your requirements to furnish precise recommendations when you consult us for your conveying needs.

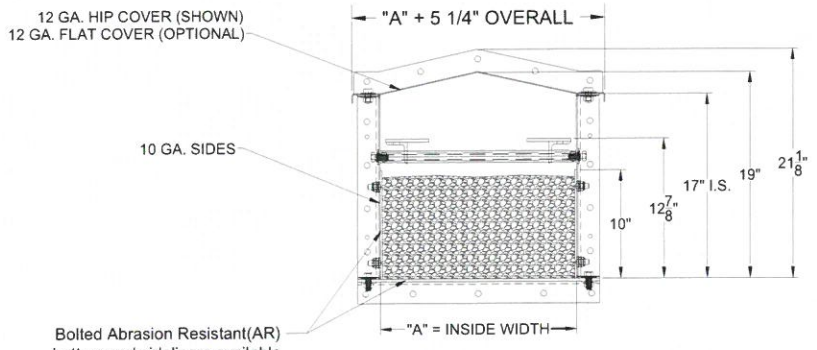


TYPICAL ELEVATION VIEW

A(WIDTH)	B	C
12	4 1/8	1
15	5 5/8	1
18	4 1/8	2
24	4 1/8	3
30	4 1/8	4
36	4 1/8	5



HEAD DISCHARGE HOLE PATTERN
(discharges shipped with a mating flange by request)



Bolted Abrasion Resistant(AR) bottom and sideliners available in commercial grade, 400 BHN, 500 BHN thickness available in 3/16", 1/4", 3/8", 1/2", and 3/4" (Ceramic liners also available)

TROUGH CROSS SECTION

21" Tall Model "HD" Conveyor



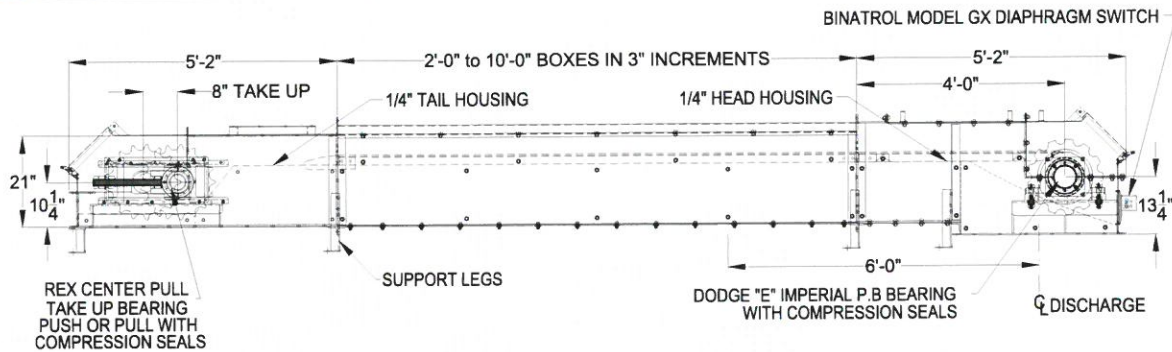
Bulk Conveyors Inc.

1202 E. First St.
Wichita, Ks 67214
Ph: 316-201-3158
www.bulkconveyorsinc.us

"Where Customer Service is always FIRST"

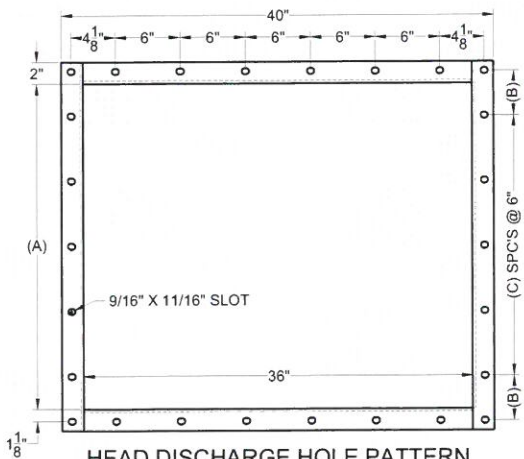
21" TALL CONVEYOR CAPACITY					
CONVEYOR WIDTH	UNITS	FEET PER MINUTE (SPEED)			
		1	50	100	150
12"	BPH	51	2532	5063	7595
	CFH	63	3150	6300	9450
	CMH	1.78	89	178	268
15"	BPH	63	3164	6329	9493
	CFH	78.75	3938	7875	11813
	CMH	2.23	112	223	335
18"	BPH	76	3797	7595	11392
	CFH	94.5	4725	9450	14175
	CMH	2.68	134	268	401
24"	BPH	101	5063	10126	15190
	CFH	126	6300	12600	18900
	CMH	3.57	178	357	535
30"	BPH	127	6329	12658	18987
	CFH	157.5	7875	15750	23625
	CMH	4.46	223	446	669
36"	BPH	152	7595	15190	22784
	CFH	189	9450	18900	28350
	CMH	5.35	268	535	803

*Speed varies with degree of incline, materials being conveyed, service factors, and other conditions. BCI engineers work with you and your requirements to furnish precise recommendations when you consult us for your conveying needs.

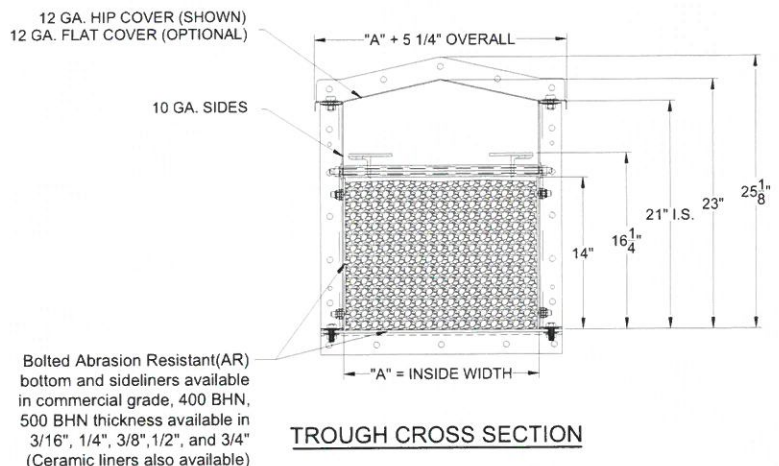


TYPICAL ELEVATION VIEW

A(WIDTH)	B	C
12	4 1/8	1
15	5 5/8	1
18	4 1/8	2
24	4 1/8	3
30	4 1/8	4
36	4 1/8	5



HEAD DISCHARGE HOLE PATTERN
(discharges shipped with a mating flange by request)



TROUGH CROSS SECTION

26" Tall Model "HD" Conveyor



Bulk Conveyors Inc.

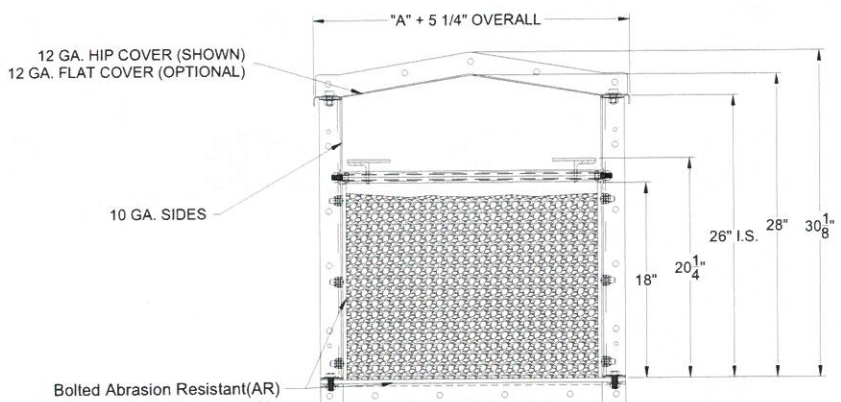
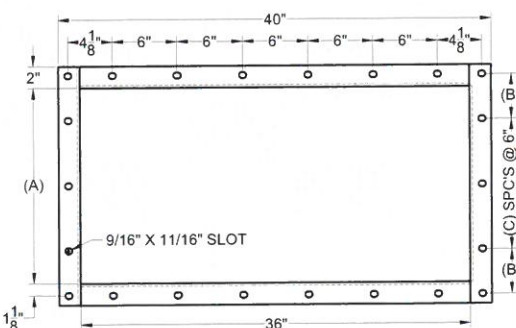
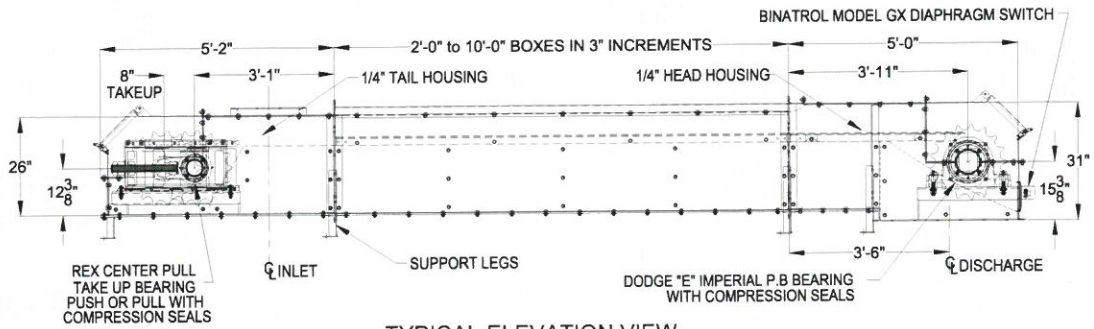
1202 E. First St.
Wichita, Ks 67214
Ph: 316-201-3158
www.bulkconveyorsinc.us

"Where Customer Service is always FIRST"

26" TALL CONVEYOR CAPACITY					
CONVEYOR WIDTH	UNITS	FEET PER MINUTE (SPEED)			
		1	50	100	150
12"	BPH	65	3255	6510	9765
	CFH	81	4050	8100	12150
	CMH	2.29	115	229	344
15"	BPH	81	4069	8137	12206
	CFH	101.25	5063	10125	15188
	CMH	2.87	143	287	430
18"	BPH	98	4882	9765	14647
	CFH	121.5	6075	12150	18225
	CMH	3.44	172	344	516
24"	BPH	130	6510	13020	19529
	CFH	162	8100	16200	24300
	CMH	4.59	229	459	688
30"	BPH	163	8137	16275	24412
	CFH	202.5	10125	20250	30375
	CMH	5.73	287	573	860
36"	BPH	195	9765	19529	29294
	CFH	243	12150	24300	36450
	CMH	6.88	344	688	1032
42"	BPH	228	11392	22784	34177
	CFH	283.5	14175	28350	42525
	CMH	8.03	401	803	1204
48"	BPH	246	12296	24593	36889
	CFH	306	15300	30600	45900
	CMH	8.67	433	867	1300
54"	BPH	2,768	138404	276808	415212
	CFH	3444.25	172213	344425	516638
	CMH	97.54	4877	9754	14631
60"	BPH	307	15370	30741	46111
	CFH	382.5	19125	38250	57375
	CMH	10.83	542	1083	1625

*Speed varies with degree of incline, materials being conveyed, service factors, and other conditions. BCI engineers work with you and your requirements to furnish precise recommendations when you consult us for your conveying needs.

A(WIDTH)	B	C
12	4 1/8	1
15	5 5/8	1
18	4 1/8	2
24	4 1/8	3
30	4 1/8	4
36	4 1/8	5
42	4 1/8	6
48	4 1/8	7
54	4 1/8	8
60	4 1/8	9



Bolted Abrasion Resistant (AR) bottom and sideliners available in commercial grade, 400 BHN, 500 BHN thickness available in 3/16", 1/4", 3/8", 1/2", and 3/4" (Ceramic liners also available)

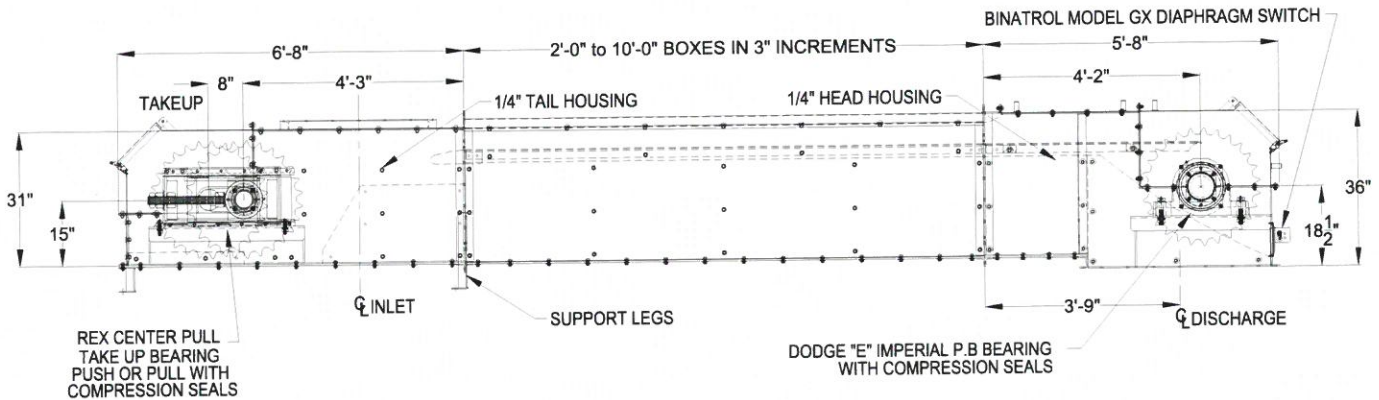
31" Tall Model "HD" Conveyor



Bulk Conveyors Inc.
 1202 E. First St.
 Wichita, Ks 67214
 Ph: 316-201-3158
 www.bulkconveyorsinc.us
"Where Customer Service is always FIRST"

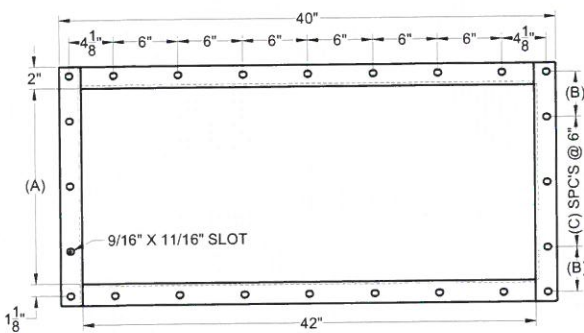
31" TALL CONVEYOR CAPACITY					
CONVEYOR WIDTH	UNITS	FEET PER MINUTE (SPEED)			
		1	50	100	150
24"	BPH	166	8318	16636	24954
	CFH	207	10350	20700	31050
	CMH	5.86	293	586	879
30"	BPH	208	10398	20795	31193
	CFH	258.75	12938	25875	38813
	CMH	7.33	366	733	1099
36"	BPH	250	12477	24954	37431
	CFH	310.5	15525	31050	46575
	CMH	8.79	440	879	1319
42"	BPH	291	14557	29113	43670
	CFH	362.25	18113	36225	54338
	CMH	10.26	513	1026	1539
48"	BPH	333	16636	33272	49909
	CFH	414	20700	41400	62100
	CMH	11.72	586	1172	1759
54"	BPH	374	18716	37431	56147
	CFH	465.75	23288	46575	69863
	CMH	13.19	660	1319	1979
60"	BPH	416	20795	41591	62386
	CFH	517.5	25875	51750	77625
	CMH	14.66	733	1466	2198

*Speed varies with degree of incline, materials being conveyed, service factors, and other conditions. BCI engineers work with you and your requirements to furnish precise recommendations when you consult us for your conveying needs.

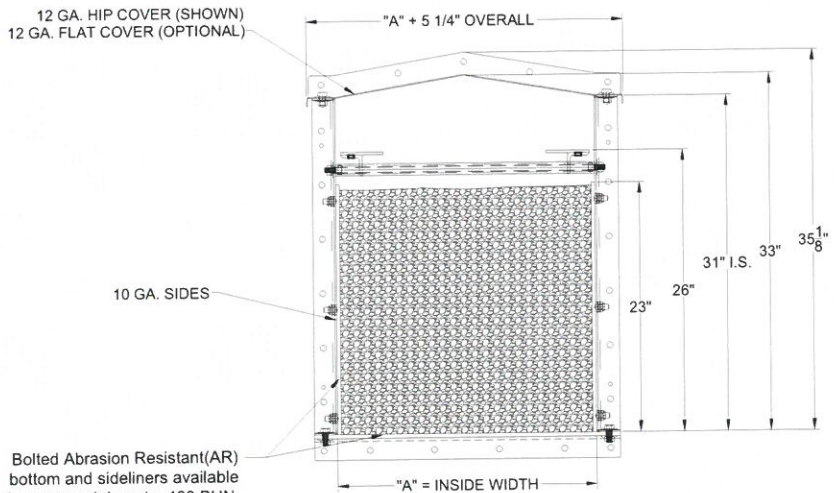


A(WIDTH)	B	C
24	4 1/8	3
30	4 1/8	4
36	4 1/8	5
42	4 1/8	6
48	4 1/8	7
54	4 1/8	8
60	4 1/8	9

TYPICAL ELEVATION VIEW



HEAD DISCHARGE HOLE PATTERN
 (discharges shipped with a mating flange)



TROUGH CROSS SECTION